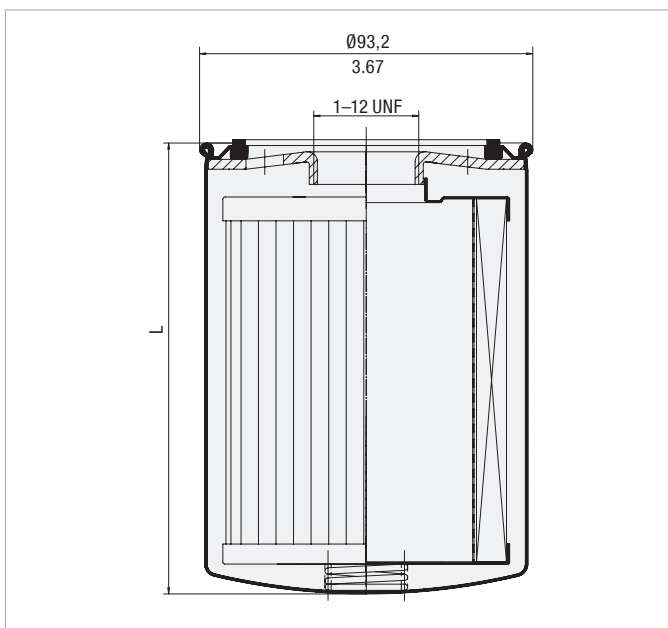


Spin-On Elements ▪ Type SF-65



Product Description

STAUFF SF-65-series Spin-On Elements are used with the STAUFF SAF series Spin-On Filters.



Dimensions in mm / in

Technical Data

Connection Thread

- 1-12 UNF

Seal Contour

- Type A (see page 151)

Sealing Material

- NBR (Buna-N®)

Operating Pressure

- Max. 14 bar / 200 PSI
- SF-6520-W: Max. 7 bar / 101.5 PSI

Differential Pressure

- Max. 5,5 bar / 80 PSI
- (for any application without bypass valve)

Burst Pressure

- Min. 20 bar / 290 PSI

Temperature Range

- -30 °C ... +100 °C / -22 °F ... +212 °F

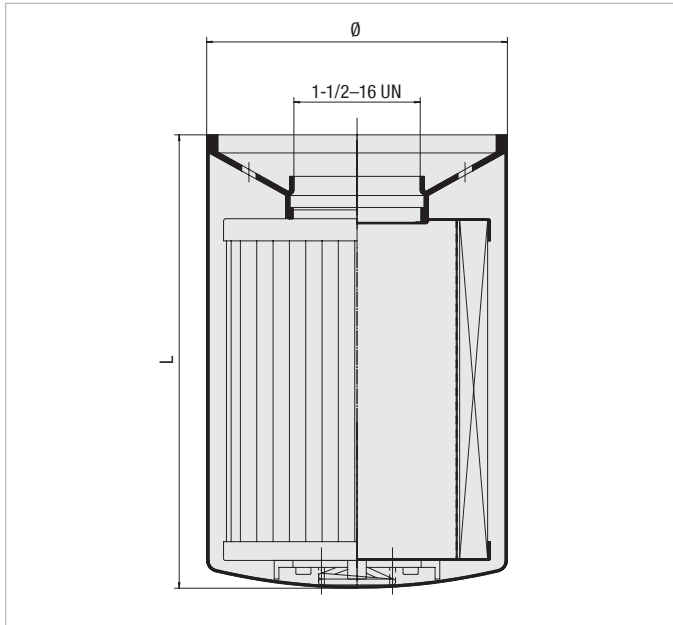
Media Compatibility

- Mineral oils, other fluids on request

Dimensions

Order Code	Filter Paper				Inorganic Glass Fibre			Water Absorbing
	SF-6520	SF-6521	SF-6510	SF-6511	SF-6549	SF-6505	SF-6504	SF-6520-W
Length L (mm/in)	137 5.39	204 8.00	137 5.39	204 8.00	137 5.39	137 5.39	137 5.39	133 5.25
β-Ratio	$\beta_{10} \geq 2$	$\beta_{10} \geq 2$	$\beta_{25} \geq 2$	$\beta_{25} \geq 2$	$\beta_3 \geq 200$	$\beta_{12} \geq 200$	$\beta_{25} \geq 200$	$\beta_{10} \geq 2$
Dirt Holding Capacity ACFTD (g)	14.4	22	20.4	31.2	19	11	26	Water holding capacity 162 ml 5.5 oz
Carton Quantity	12	12	12	12	12	12	12	12
Carton Weight (kg/lbs)	6,3	8,4	6,4	8,8	8,6	8,6	8,6	8,6
	13.9	18.5	14.2	19.4	19	19	19	19



Spin-On Elements - Type SF-67


Dimensions in mm / in


Product Description

STAUFF SF-67-series Spin-On Elements are used with the STAUFF SSF-20L/100/120/120L/130/150/160/180 and SSF-24B/24N/24S/25B/25FM/25 Spin-On Filters.

Technical Data
Connection Thread

- 1-1/2-16 UN

Seal Contour

- Type B (see page 151)

Sealing Material

- NBR (Buna-N®)

Operating Pressure

- Max. 14 bar / 200 PSI
- SF-6721-W: Max. 7 bar / 101.5 PSI

Differential Pressure

- Max. 5,5 bar / 80 PSI
- (for any application without bypass valve)

Burst Pressure

- Min. 20 bar / 290 PSI

Temperature Range

- -30 °C ... +100 °C / -22 °F ... +212 °F

Media Compatibility

- Mineral oils, other fluids on request

Dimensions

Order Code	Inorganic Glass Fibre								
	SF-6702-MG	SF-6703-MG	SF-6704-MG	SF-6706-MG	SF-6707-MG	SF-6730-MG	SF-6731-MG	SF-6728-MG	SF-6726-MG
Length L (mm/in)	270 10.6	168 6.6	270 10.6	168 6.6	270 10.6	168 6.6	270 10.6	168 6.6	270 10.6
Diameter Ø (mm/in)	129 5.08	129 5.08	129 5.08	129 5.08	129 5.08	129 5.08	129 5.08	129 5.08	129 5.08
β-Ratio	β ₁ ≥ 200	β ₃ ≥ 200	β ₃ ≥ 200	β ₆ ≥ 200	β ₆ ≥ 200	β ₁₂ ≥ 200	β ₁₂ ≥ 200	β ₂₅ ≥ 200	β ₂₅ ≥ 200
Dirt Holding Capacity ACFTD (g)	30	31	47	35	54	38	59	50	76
Carton Quantity	6	6	6	6	6	6	6	6	6
Carton Weight (kg/lbs)	11,8 26.1	8,2 18	11,8 26.1	8,2 18	11,8 26.1	8,2 18	11,8 26.1	8,2 18	11,8 26.1

Order Code	Filter Paper				Stainless Mesh		Water Absorbing
	SF-6720	SF-6721	SF-6710	SF-6711	SF-6790	SF-6791	SF-6721-W
Length L (mm/in)	168 6.6	270 10.6	168 6.6	270 10.6	168 6.6	270 10.6	270 10.6
Diameter Ø (mm/in)	128,5 5.06	128,5 5.06	128,5 5.06	128,5 5.06	128,5 5.06	128,5 5.06	128,5 5.06
β-Ratio	β ₁₀ ≥ 2	β ₁₀ ≥ 2	β ₂₅ ≥ 2	β ₂₅ ≥ 2	n/a	n/a	β ₁₀ ≥ 2
Dirt Holding Capacity ACFTD (g)	34	62	34	62	n/a	n/a	Water holding capacity 444 ml / 15 oz
Carton Quantity	6	6	6	6	6	6	6
Carton Weight (kg/lbs)	6,6 14.6	7,9 17.5	6,7 14.9	9,3 20.6	8,2 18	11,8 26.1	11,8 26.1

