

Mini Rotary Actuator/Rack & Pinion Type

CRJ Series

Size: 05, 1

More Compact.



PAT. PEND

CRB□2

CRB1

MSU

CRJ

CRA1

CRQ2

MSQ

MSZ

CRQ2X

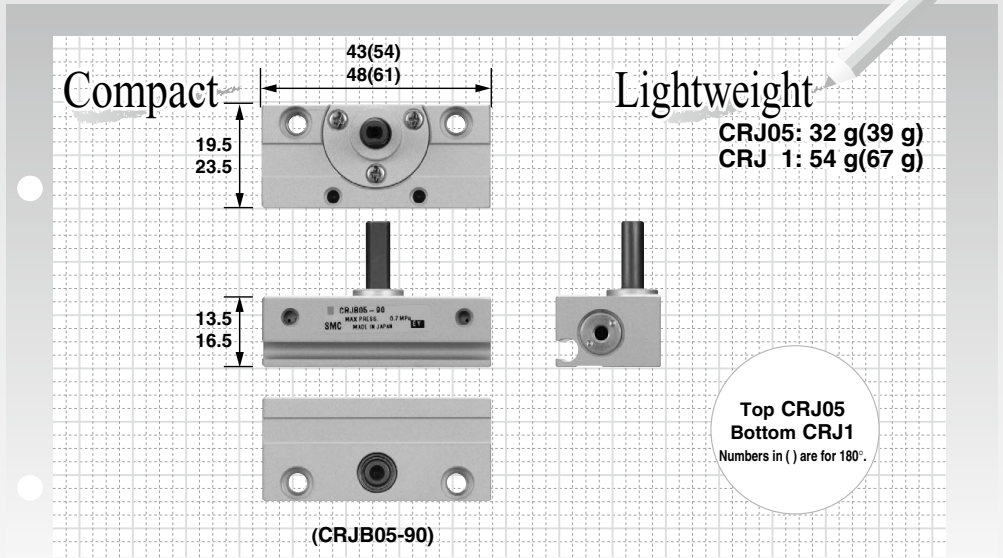
MSQX

MRQ

D-□

Mini Rotary Actuator *CRJ Series*

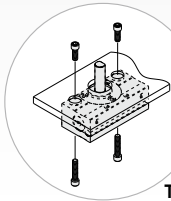
Rack & Pinion Type/Size: 05, 1



Flexible mounting

A new compact body design not only reduces overall space requirements, but also achieves space-savings in wiring and piping. Ease in mounting is maximized thanks to the merits of the new compact body.

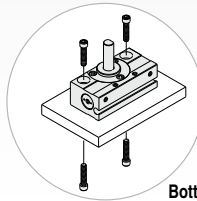
■ Free mounting



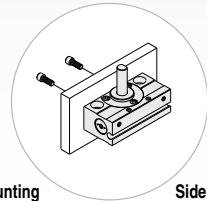
Top mounting



Speed controllers do not protrude from the top of the body.



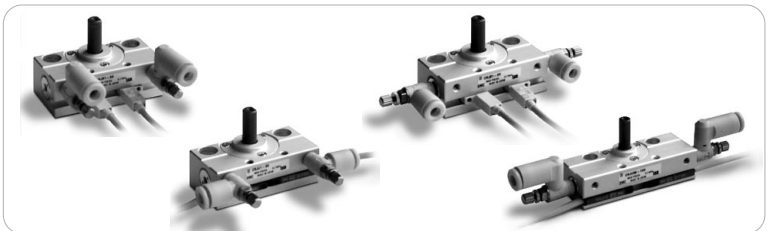
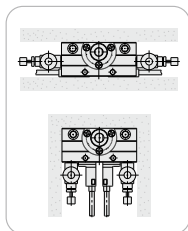
Bottom mounting



Side mounting

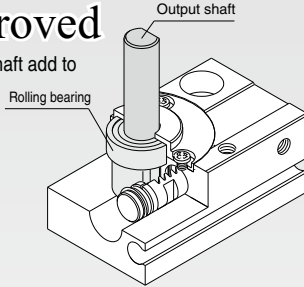
■ Wiring and piping direction can be selected depending on mounting conditions.

Mounting examples for auto switch and speed controller



Allowable load improved

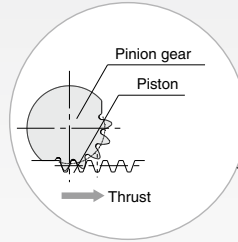
Large roller bearing and large diameter output shaft add to overall compactness while ensuring high rigidity.



Model		CRJ05	CRJ1
Allowable load (N)	Fr	25	30
	FS (a)	20	25
	FS (b)	20	25
Output shaft size (mm)		ø5	ø6

Backlash reduced

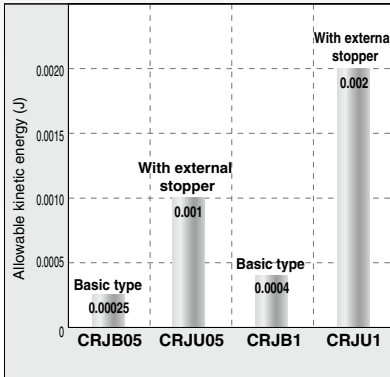
Even with a single rack design, the use of a special construction minimizes backlash.



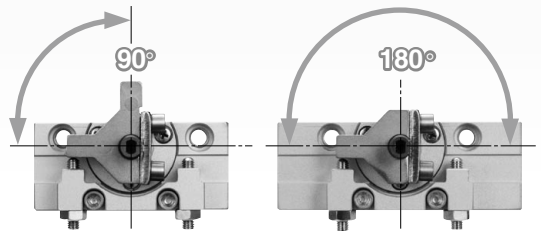
Stopping the pinion gear by having it strike against the flat surface of the piston eliminates backlash.

■ With external stopper/CRJU Series

4 to 5 times allowable kinetic energy (Basic type compared to CRJB)



Angle is adjustable: $\pm 5^\circ$ at each rotation end

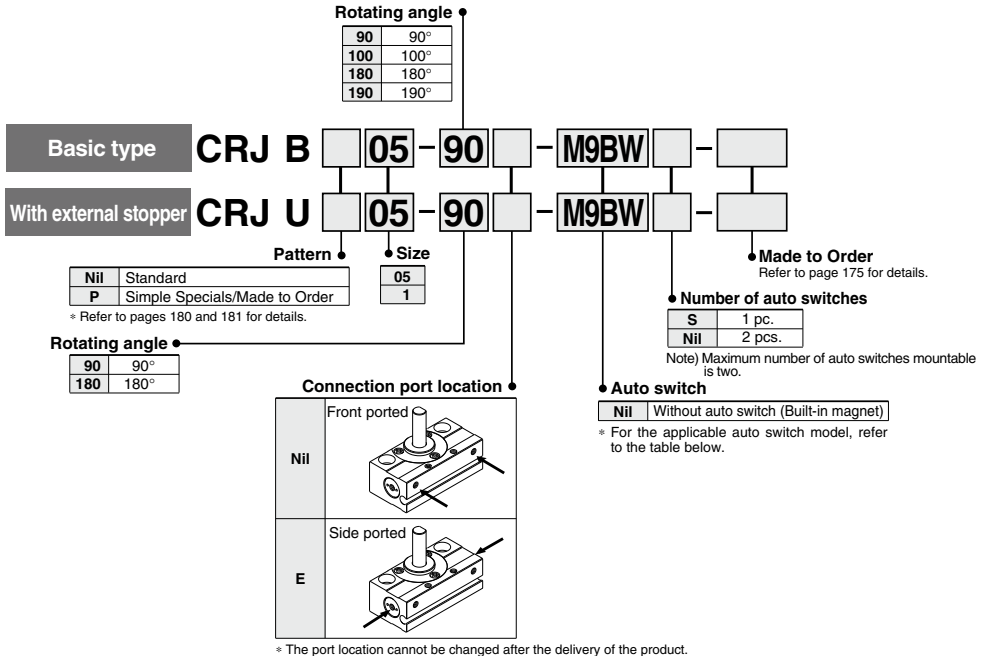


Series Variations

Series		Rotating angle				Connection port location	Auto switch
		90°	100°	180°	190°		
Basic type	CRJB05	●	●	●	●	Front ported Side ported	D-F8 type D-M9/M9□V type D-M9□W/M9□WV type
	CRJB1	●	●	●	●		
With external stopper	CRJU05	●	—	●	—		
	CRJU1	●	—	●	—		

Mini Rotary Actuator Rack & Pinion Type **CRJ Series** Size: 05, 1

How to Order



Applicable Auto Switches

Refer to pages 797 to 850 for further information on auto switches.

Type	Special function	Electrical entry	Indicator light	Wiring (Output)	Load voltage		Auto switch model		Lead wire length (m)*				Pre-wired connector	Applicable load		
					DC	AC	Perpendicular entry	In-line entry	0.5 (Nil)	1 (M)	3 (L)	5 (Z)				
Solid state auto switch	—	Grommet	Yes	3-wire (NPN)	24 V	5 V, 12 V	—	M9NV	M9N	●	●	●	○	○	IC circuit	Relay, PLC
								F8N	—	●	—	●	○	—		
				M9PV				M9P	●	●	●	○	○			
				F8P				—	●	—	●	○	—			
				M9BV				M9B	●	●	●	○	○			
				F8B				—	●	—	●	○	—			
	Diagnosis indication (2-color)	Grommet	Yes	3-wire (NPN)	24 V	5 V, 12 V	—	M9NWW	M9NW	●	●	●	○	○	IC circuit	
								M9PWW	M9PW	●	●	●	○	○	—	
	Water-resistant (2-color indicator)	Grommet	Yes	3-wire (NPN)	24 V	5 V, 12 V	—	M9BWW	M9BW	●	●	●	○	○	—	
								M9NAV**	M9NA**	○	○	●	○	○	IC circuit	
				M9PAV**				M9PA**	○	○	●	○	○	—		
				M9BAV**				M9BA**	○	○	●	○	○	—		

** Although it is possible to mount water-resistant type auto switches, note that the rotary actuator itself is not of water-resistant construction.

* Lead wire length symbols: 0.5 m Nil (Example) M9NW
1 m M (Example) M9NWM
3 m L (Example) M9NWL
5 m Z (Example) F9NWZ

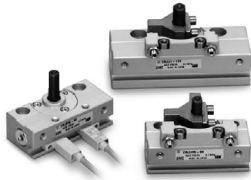
* Auto switches marked "O" are produced upon receipt of order.

* Refer to pages 837 and 838 for detailed solid state auto switches with pre-wired connectors.

Note 1) When using a D-F8□ switch, mount it at a distance of 10 mm or more from magnetic substances such as iron, etc.

* Auto switches are shipped together, but not assembled.

Specifications



Made to Order
(Refer to pages 180 and 181 for details.)

Symbol	Specifications/Description
-XA1 to XA17	Shaft Pattern Sequencing I

Symbol



Size	05		1	
	Basic type	With external stopper	Basic type	With external stopper
Fluid	Air (Non-lube)			
Max. operating pressure	0.7 MPa			
Min. operating pressure	0.15 MPa			
Ambient and fluid temperature	0 to 60°C (No freezing)			
Rotating angle ^(Note)	90 ^{+8°} ₀ , 100 ^{+10°} ₀ 180 ^{+8°} ₀ , 190 ^{+10°} ₀	90°, 180°	90 ^{+8°} ₀ , 100 ^{+10°} ₀ 180 ^{+8°} ₀ , 190 ^{+10°} ₀	90°, 180°
Angle adjustment range	— ±5° at each rotation end		— ±5° at each rotation end	
Cylinder bore size	ø6		ø8	
Port size	M3 x 0.5			

(Note) If optimum accuracy of the (rotating) angle is required, select an actuator with external stopper.

Allowable Kinetic Energy and Rotation Time Adjustment Range

Size	Allowable kinetic energy (J)		Rotation time adjustment range for stable operation (s/90°)
	Basic type	With external stopper	
05	CRJB05	0.00025	0.1 to 0.5
	CRJU05	0.001	
1	CRJB1	0.0004	
	CRJU1	0.002	

Weight

Type	Model	Weight (g) ^(Note)
Basic type	05	CRJB05-90
		CRJB05-100
		CRJB05-180
	1	CRJB05-190
		CRJB1-90
		CRJB1-100
With external stopper	05	CRJB1-180
		CRJB1-190
		CRJU05-90
	1	CRJU05-180
		CRJU1-90
		CRJU1-180

(Note) Values above do not include auto switch weight.

Moisture Control Tube IDK Series



When operating an actuator with a small diameter and a short stroke at a high frequency, the dew condensation (water droplet) may occur inside the piping depending on the conditions.

Simply connecting the moisture control tube to the actuator will prevent dew condensation from occurring. For details, refer to [the IDK series in the Best Pneumatics No.6.](#)

CRB2

CRB1

MSU

CRJ

CRA1

CRQ2

MSQ

MSZ

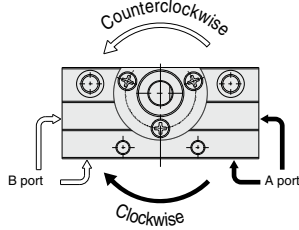
CRQ2X
MSQX

MRQ

D-□

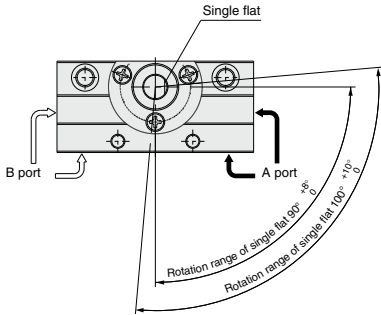
Rotating Direction and Rotating Angle

- The shaft turns clockwise when the A port is pressurized, and counterclockwise when the B port is pressurized.
- For actuators with external stopper, the rotation end can be set within the ranges shown in the drawing by adjusting the stopper bolt.

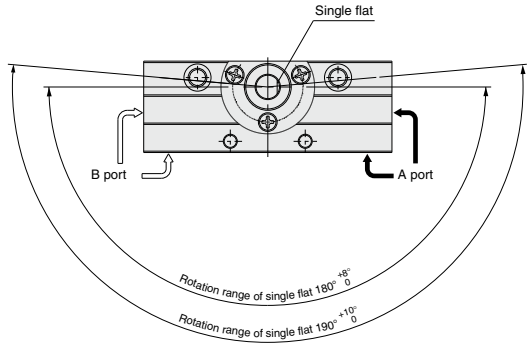


Basic type

For 90° and 100°

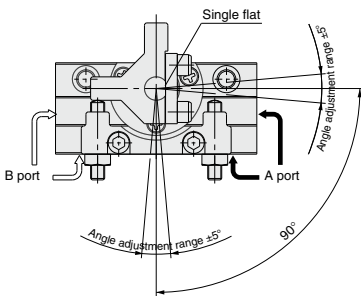


For 180° and 190°

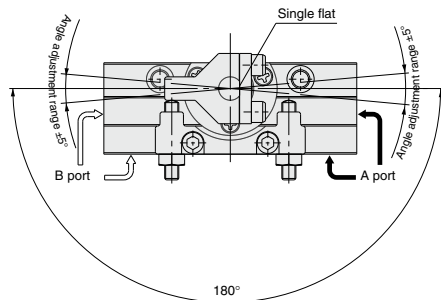


With external stopper

For 90°



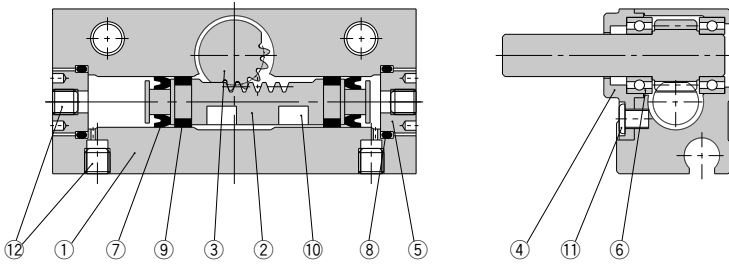
For 180°



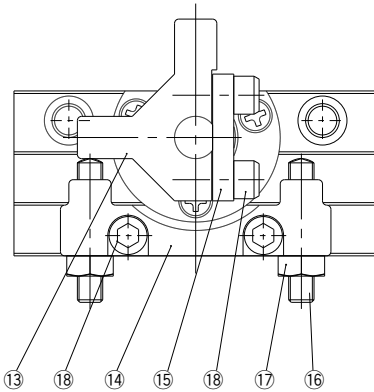
- Note) • The drawings show the rotation range for the shaft's single flat.
 • The single flat position in the drawings shows the counterclockwise rotation end when the rotation angle is adjusted to 90° and 180°.

Construction

Basic type: CRJB



With external stopper: CRJU



Component Parts

No.	Description	Material	Note
①	Body	Aluminum alloy	Anodized
②	Piston	Stainless steel	
③	Shaft	Stainless steel	
④	Bearing retainer *	Aluminum alloy	Anodized
⑤	Cover	Aluminum alloy	Anodized
⑥	Bearing	Bearing steel	
⑦	Piston seal	NBR	
⑧	O-ring	NBR	
⑨	Wear ring	Resin	

No.	Description	Material	Note
⑩	Magnet	—	
⑪	Round head no. 0 Phillips screw	Steel wire	
⑫	Hexagon socket head set screw	Stainless steel	
⑬	Stopper	Chrome molybdenum steel	Electroless nickel plated
⑭	Holder	Aluminum alloy	Anodized
⑮	Stopper retainer	Carbon steel	Zinc chromated
⑯	Hexagon socket head set screw	Steel wire	
⑰	Hexagon nut	Steel wire	
⑱	Hexagon socket head cap screw	Stainless steel	

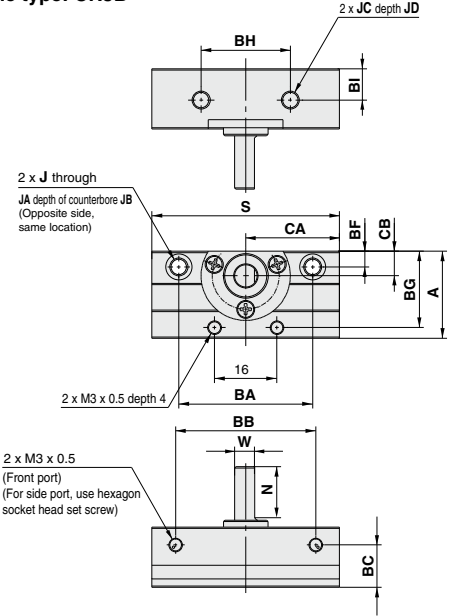
* The mounting position of hexagon socket head set screws (No. 12) varies depending on the connecting port location.
* Individual part cannot be shipped.

CRB□2
CRB1
MSU
CRJ
CRA1
CRQ2
MSQ
MSZ
CRQ2X
MSQX
MRQ

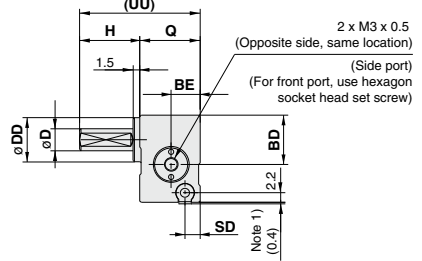
D-□

Dimensions/Size 05, 1

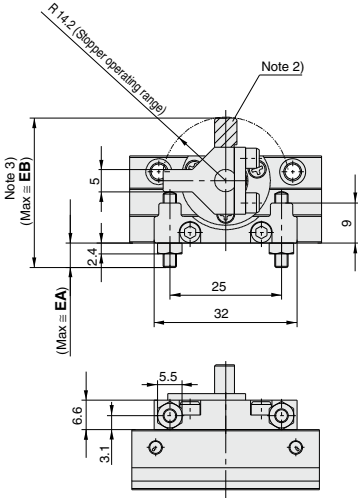
Basic type: CRJB



Note 1) This dimension is for the actuator with D-M9 type auto switch (not including the 2-color indicator).

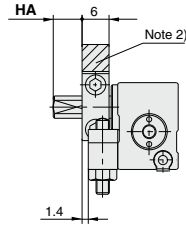


With external stopper: CRJU



Note 2) For the 180° specification, the slated line area do not exist.

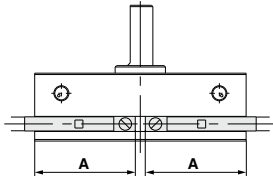
Note 3) The maximum dimensions that appear are those measured at the maximum rotating angle. settings: 100° and 190°.



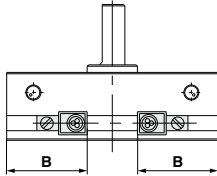
	(mm)			
Size	EA	EB	HA	
CRJU05	5.6	33.8	6.5	
CRJU1	5.6	35.8	7.5	

Size	Rotating angle	(mm)																									
		A	BA	BB	BC	BD	BE	BF	BG	BH	BI	CA	CB	D	DD	J	JA	JB	JC	JD	H	N	Q	S	SD	UU	W
CRJB05	90°	19.5	30	32.4	9.5	11	6.5	3.5	17.1	20	7	21.5	5.5	5g6	10h9	M4 x 0.7	5.8	3.5	M4 x 0.7	5	14.5	12.5	13.5	43	3.4	28	4.5
	180°			43.4								27												54			
CRJB 1	90°	23.5	35	37.4	12.5	14	9	4.5	21.1	22	8.5	24	7.5	6g6	14h9	M5 x 0.8	7.5	4.5	M5 x 0.8	6	15.5	13.5	16.5	48	5.9	32	5.5
	180°			50.4								30.5												61			

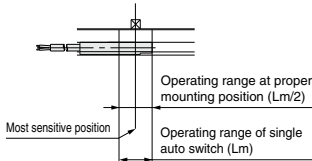
Proper Auto Switch Mounting Position (Detection at rotation end)



For D-M9



For D-F8



Size	Rotating angle	D-M9 auto switch			D-F8 auto switch		
		A	Operating angle θ m	Hysteresis angle	B	Operating angle θ m	Hysteresis angle
05	90°	20.5	46°	10°	16.5	20°	10°
	180°	23.2			19.2		
1	90°	22.4	41°	10°	18.4	15°	10°
	180°	25.6			21.6		

Operating angle θ m: Value of the operating range L_m of a single auto switch converted to an axial rotating angle.

Hysteresis angle : Value of auto switch hysteresis converted to an angle.

Note) The values given in the table above are representative values, not meant to be guaranteed.

In the actual setting, adjust the value after confirming the auto switch performance.

CRB□2

CRB1

MSU

CRJ

CRA1

CRQ2

MSQ

MSZ

CRQ2X
MSQX

MRQ

D-□

Simple Specials:

-XA1 to -XA17: Shaft Pattern Sequencing I

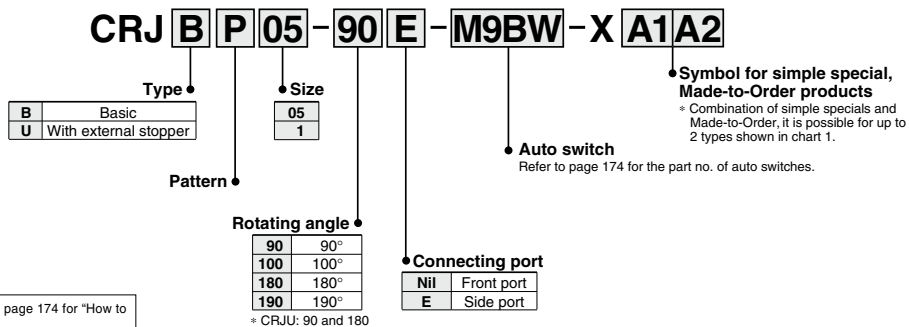
Shaft pattern sequencing is dealt with a simple made-to-order system. (Refer to front matter.)
Please contact SMC for a specification sheet when placing an order.

Symbol

Shaft Pattern Sequencing I

-XA1 to -XA17

How to Order



* Combination of simple specials and Made-to-Order, it is possible for up to 2 types shown in chart 1.

Combination Chart of Simple Specials for Tip End Shape

Chart 1. Combination between -XA□ and -XA□

Symbol	Description	Top port		Applicable size	Combination							
		Upper	Lower		XA1	XA2	XA13	XA14	XA15	XA16		
XA 1	Female thread at the end	●	—	05, 1	●	—	—	—	—	—	—	—
XA 2	Female thread at the end	—	●		—	●	—	—	—	—	—	—
XA13	Shaft through-hole	●	●		—	—	—	—	—	—	—	—
XA14	Shaft through-hole and female thread at the end	●	—		—	—	—	—	—	—	—	—
XA15	Shaft through-hole and female thread at the end	—	●		—	—	—	—	—	—	—	—
XA16	Shaft through-hole and double shaft-end female thread	●	●		—	—	—	—	—	—	—	—
XA17	Shortened shaft	●	—		—	—	●	●	—	—	●	—

Symbol

Shaft Pattern Sequencing I

-XA1 to -XA17

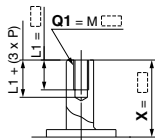
Additional Reminders

1. Enter the dimensions within a range that allows for additional machining.
2. Unless indicated otherwise, the dimensional tolerance conforms to the general tolerance. SMC will make appropriate arrangements.
3. The length of the unthreaded portion is 2 to 3 pitches.
4. Unless specified otherwise, the thread pitch is based on coarse metric threads. M3 x 0.5, M4 x 0.7
5. Enter the desired figures in the [] portion of the diagram.
6. Chamfer face of the parts machining additionally is C0.5.
7. The additionally machined port will have an aluminum surface since it is left unfinished.

A1

The long shaft can be further shortened by machining female threads into it. (If shortening the shaft is not required, indicate "*" for dimension X.)

- The maximum dimension L1 is, as a rule, twice the thread size (Example) For M3: L1 = 6



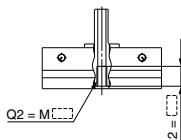
Size	X	Q1
CRJB05	1.5 to 14.5	M3
CRJU05	8 to 14.5	M3
CRJB 1	1.5 to 15.5	M3, M4
CRJU 1	8 to 15.5	M3, M4

(mm)

A15

A special end is machined onto the short shaft, and a through-hole is drilled into it. Female threads are machined into the through-hole, whose diameter is equivalent to the pilot hole diameter.

- The maximum dimension L2 is, as a rule, twice the thread size. (Example) For M4: L2 = 8



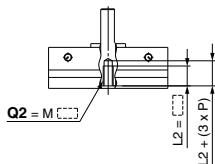
Size	05	1
Thread		
M3 x 0.5	ø2.5	ø2.5
M4 x 0.7	—	ø3.3

(mm)

A2

Machine female threads into the short shaft

- The maximum dimension L2 is, as a rule, twice the thread size. (Example) For M4: L2 = 8



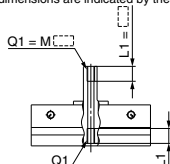
Size	Q2
05	M3
1	M3, M4

(mm)

A16

A special end is machined onto both the long and short shafts, and a through-hole is drilled into both shafts.

- Female threads are machined into the through-holes, whose diameter is equivalent to the diameter of the pilot holes.
- The maximum dimension L1 is, as a rule, twice the thread size. (Example) For M3: L1 = 6
- Equal dimensions are indicated by the same marker.



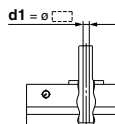
Size	05	1
Thread		
M3 x 0.5	ø2.5	ø2.5
M4 x 0.7	—	ø3.3

(mm)

A13

Shaft with through-hole

Minimum machining diameter for ød1 is 0.1.

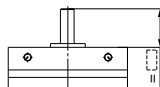


Size	d1
05	ø2 to ø2.5
1	ø2 to ø3.5

(mm)

A17

Shorten the long shaft.



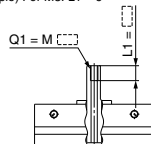
Size	X
CRJB05	1.5 to 14.5
CRJU05	8 to 14.5
CRJB 1	1.5 to 15.5
CRJU 1	8 to 15.5

(mm)

A14

A special end is machined onto the long shaft, and a through-hole is drilled into it. Female threads are machined into the through-hole, whose diameter is equivalent to the pilot hole diameter.

- The maximum dimension L1 is, as a rule, twice the thread size. (Example) For M3: L1 = 6



Size	05	1
Thread		
M3 x 0.5	ø2.5	ø2.5
M4 x 0.7	—	ø3.3

(mm)

CRB02

CRB1

MSU

CRJ

CRA1

CRQ2

MSQ

MSZ

CRQ2X

MSQX

MRQ

D-□



CRJ Series

Specific Product Precautions

Be sure to read this before handling the products.
Refer to back page 50 for Safety Instructions and pages 4 to 14 for Rotary Actuator and Auto Switch Precautions.

Rotation Adjustment

⚠ Caution

As a standard feature, the actuator with external stopper is equipped with a rotation angle adjustment screw that can be used to adjust the angle of rotation.

Size	Angle adjustment per single rotation of angle adjustment screw
05	2.3°
1	2.3°

The rotation adjustment range for the actuator with external stopper is $\pm 5^\circ$ at each rotation end. Please note that adjusting beyond this range, may cause product malfunction.

Mounting of Speed Controller and Fittings

⚠ Caution

The M3 x 0.5 piping port is used. In case the speed controller or fittings are directly connected, use the series listed below.

- Speed controller
AS12□1F/Elbow type
AS13□1F/Universal type
- One-touch fitting
One-touch mini KQ2 series
- Reducer bushing M3 series

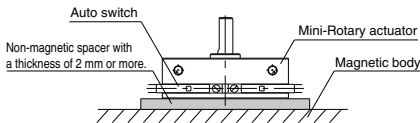
Mounting of Auto Switch

⚠ Caution

If a size 05 actuator with auto switch is being used, keep the magnetic body away at least 2 mm or more from the bottom of the actuator.

If the magnetic body comes closer than 2 mm, malfunction of the auto switch may occur due to the magnetic force drop.

- * When using the bottom face for mounting, a non-magnetic spacer (such as aluminum) is required as shown below.



Maintenance

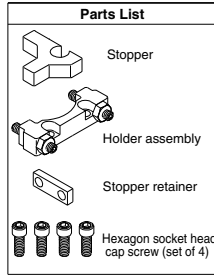
⚠ Caution

This product requires special tools; therefore, it cannot be disassembled for maintenance.

External Stopper Unit

⚠ Caution

Order external stopper unit with the unit part numbers shown below.



Model	Unit part no.
CRJU05-90	P531010-1
CRJU05-180	P531010-2
CRJU1-90	P531020-1
CRJU1-180	P531020-2

Note 1) External stopper units for 180° cannot be applied to the 90° Mini-rotary Actuators.

Note 2) When using external stoppers for 90°, use Mini-rotary Actuators with a rotation range of 100°, and for 180°, use actuators with a rotation range of 190°.

External Stopper Assembly Procedure

- * Actuators with external stopper (Model CRJU) come already assembled; therefore, the following procedure is not required.

⚠ Caution

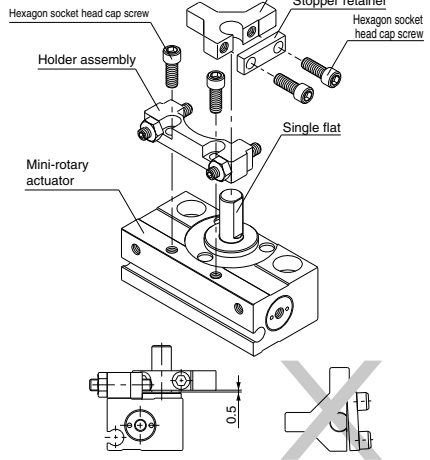


Fig. (1)

Fig. (2)

1. Assemble the stopper retainer to the stopper temporarily. Then place the stopper retainer in the single flat position and tighten with hexagon socket head cap screws. Leave a space of approximately 0.5 mm between the stopper and the Mini-rotary actuator, as shown in Fig. (1).

Tighten the hexagon socket head cap screws evenly so that the stopper retainer is not unevenly tightened as in Fig. (2). Furthermore, take precautions to avoid applying excessive force to the shaft when tightening.

2. Tighten the holder assembly with hexagon socket head cap screws.

	Tightening torque (N·m)
Hexagon socket head cap screw	0.8 to 1.2