

## Smooth Vent Valve

# Series XVD

## Supply Line

### Features



- **Space saving**  
Piping space reduced to 1/4 that of the conventional model by integration of the valve and needle valve.
- **Adoption of a metal diaphragm on the seat achieves marked reduction of particles.**
- **The flow rate is adjustable both for the initial air supply and the main air supply.**

### How to Order

**XVD 2 — 02 V**

Smooth vent valve

Orifice size (ø3)

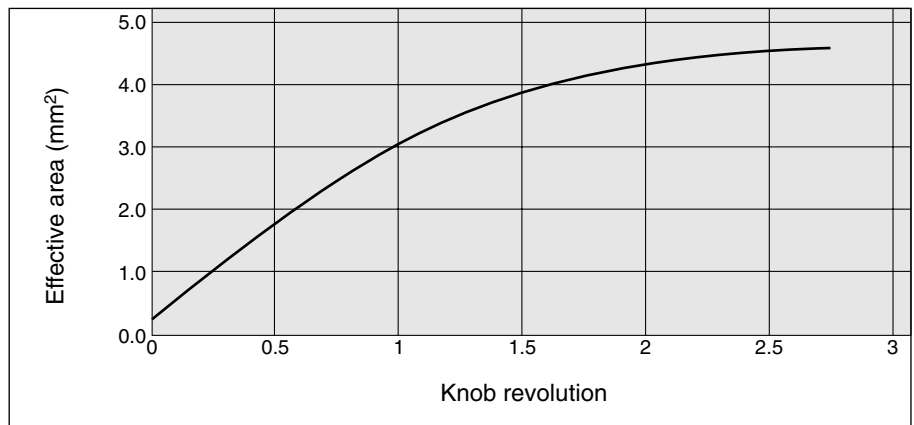
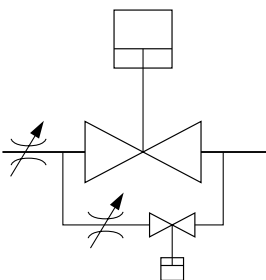
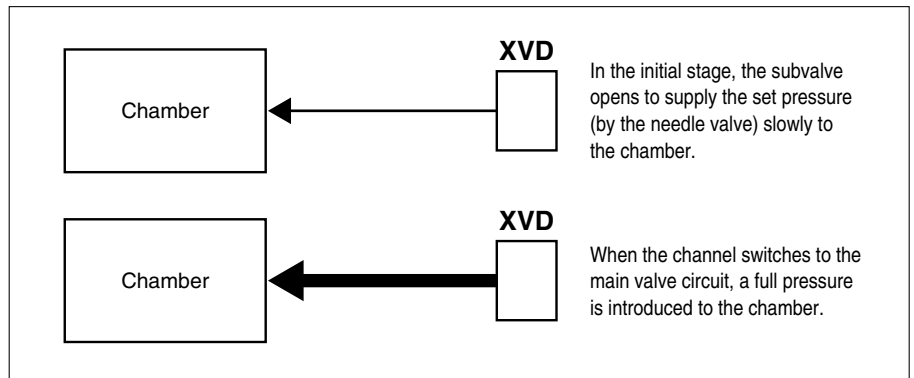
Fitting type

V	For VCR®
S	For Swagelock®

Fitting size (1/4)

### Application

When the vacuum chamber is restored to the atmospheric pressure, introducing the set pressure all at once will cause particle turbulence inside the chamber. To prevent this, the pressure is introduced slowly at the initial stage and later switches to a full supply by the main valve circuit.



## Specifications

Model	XVD2-02V	XVD2-02S
Valve type	N.C. (Open when pressurized-Spring seal)	
Fluid	Nitrogen, Air, Inert gas	
Operating temperature °C	5 to 60°C (Baking temperature, 150°C or less)	
Operating pressure Pa	0.2M to $1 \times 10^{-6}$	
Orifice diameter mm	ø3	
Effective area mm <sup>2</sup>	Main air supply	4.6
	Initial air supply	0.2 to 4.6
Leakage Pa·m <sup>3</sup> /s	Internal	$5 \times 10^{-9}$
	External	$1.3 \times 10^{-11}$
	Fittings	$1.3 \times 10^{-11}$
Piping connection system	For VCR®	For Swagelock®
Piping size	1/4B	
Main materials	Body : SUS316L/Bellows : SUS316L, 304/Seal : FKM	
Internal surface processing	EP processing (without bellows)	
Operation pressure MPa	0.4 to 0.7(Main air supply, Initial air supply (for normal operation))	
Port size	M5 x 0.8	
Service life in million cycles	0.5	
Weight kg	0.5	

## Dimensions

