

Check Valves For Air/Water

INA-14-□

XTO-674-□□

Made to order variations

■ Body material: Brass/Stainless steel (Main parts: Stainless steel)

■ Low cracking pressure: **0.01 MPa**

■ High temperature: **80°C**

Low temperature: **-30°C**

■ Rubber material: NBR/FKM/CR



Specifications/Models

Model	Port size	Specifications				Fluid	Operating temperature range [°C]	Minimum operating pressure [MPa]	Application	
		All stainless steel	Low cracking pressure 0.01 MPa	Main parts: Stainless steel	Rubber material					
INA-14-290	01: Rc 1/8			●	NBR	Air/Water	-5 to 60	0.02		
INA-14-47-□	02: Rc 1/4 03: Rc 3/8 04: Rc 1/2	●			NBR	Air/Water	-5 to 60	0.05	Anti-corrosion	
INA-14-85-□		●			FKM	Air/Water	-5 to 80	0.05	Anti-corrosion	
XTO-674-□						NBR	Air	-5 to 60	0.05	Standard
XTO-674-□A					●	NBR	Air/Water	-5 to 60	0.05	For water
XTO-674-□E				●		NBR	Air	-5 to 60	0.01	For vacuum, oscillation measures
XTO-674-□H						FKM	Air	-5 to 80	0.05	For high temperature
XTO-674-□L						CR	Air	-30 to 60	0.05	For low temperature
XTO-674-□AE				●	●	NBR	Air/Water	-5 to 60	0.01	
XTO-674-□AH					●	FKM	Air/Water	-5 to 80	0.05	
XTO-674-□AL					●	CR	Air	-30 to 60	0.05	
XTO-674-□EH				●		FKM	Air	-5 to 80	0.01	
XTO-674-□EL				●		CR	Air	-30 to 60	0.01	
XTO-674-□AEH				●	●	FKM	Air/Water	-5 to 80	0.01	
XTO-674-□AEL				●	●	CR	Air	-30 to 60	0.01	

INA-14-□/XTO-674-□□

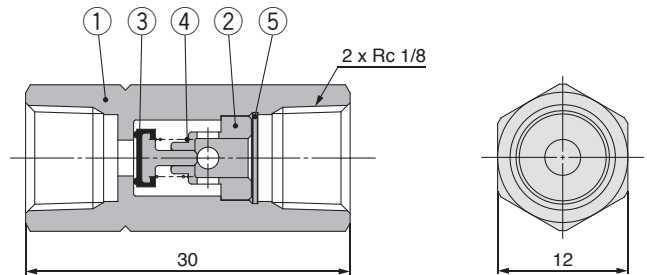
INA-14-290 (Body material: Brass)



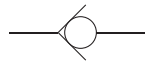
Specifications

Fluid	Air/Water
Proof pressure	1.5 MPa
Operating pressure range	0.02 to 1 MPa
Ambient and fluid temperature	-5 to 60°C (No freezing)
Port size	2 x Rc 1/8
Sonic conductance	1.25 dm ³ /(s·bar)
Critical pressure ratio	0.45

Construction/Dimensions



JIS Symbol



Weight: 20 g

Component Parts

No.	Description	Material	Note
1	Body	Brass	Electroless nickel plating
2	Guide	Brass	Electroless nickel plating
3	Valve	Stainless steel 303, NBR	
4	Spring	Stainless steel 304	
5	Basic internal retaining ring	Stainless steel 304	

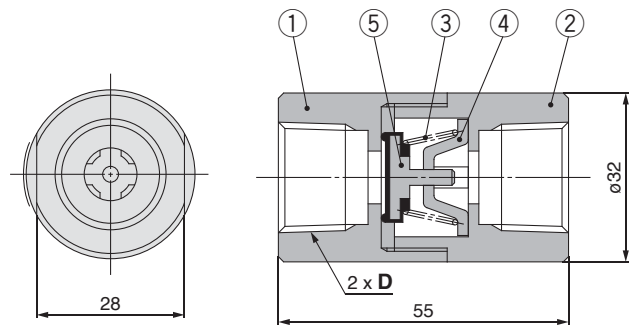
INA-14-□ (All stainless steel)



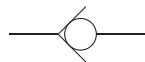
Specifications

Model		INA-14-47	INA-14-85
Fluid		Air/Water	
Operating pressure range		0.05 to 1 MPa	
Proof pressure		1.5 MPa	
Ambient and fluid temperature		-5 to 60°C (No freezing)	-5 to 80°C (No freezing)
Valve seal material		NBR	FKM
Port size		Rc 1/4, Rc 3/8, Rc 1/2	
Sonic conductance	Rc 1/4	9.5 dm ³ /(s·bar)	
	Rc 3/8, Rc 1/2	10.5 dm ³ /(s·bar)	
Critical pressure ratio		0.45	

Construction/Dimensions



JIS Symbol



How to Order

INA-14-47-02

Series

47	Seal material: NBR
85	Seal material: FKM

Port size

02	Rc 1/4
03	Rc 3/8
04	Rc 1/2

Part no.		D	Weight (g)
INA-14-47-02	INA-14-85-02	Rc 1/4	260
INA-14-47-03	INA-14-85-03	Rc 3/8	240
INA-14-47-04	INA-14-85-04	Rc 1/2	210

Component Parts

No.	Description	Material
1	Body A	Stainless steel 303
2	Body B	Stainless steel 303
3	Check valve spring	Stainless steel 304
4	Stopper	Stainless steel 304
5	Valve	Stainless steel 303, NBR
		Stainless steel 303, FKM



XTO-674-□□ (Body material: Brass)

Specifications

Model	XTO-674-□	XTO-674-□A	XTO-674-□E	XTO-674-□H	XTO-674-□L
Fluid	Air	Air/Water	Air		
Proof pressure	1.5 MPa				
Operating pressure range	0.05 to 1 MPa		0.01 to 1 MPa	0.05 to 1 MPa	
Ambient and fluid temperature	-5 to 60°C (No freezing)			-5 to 80°C (No freezing)	-30 to 60°C (No freezing)
Port size	Rc 1/4, Rc 3/8, Rc 1/2				
Sonic conductance	Rc 1/4		9.5 dm ³ /(s·bar)		
	Rc 3/8, Rc 1/2		10.5 dm ³ /(s·bar)		
Critical pressure ratio	0.45				

Note) Refer to "Specifications/Models" on page 1 for combinations of each option.

How to Order

XTO-674-02 □

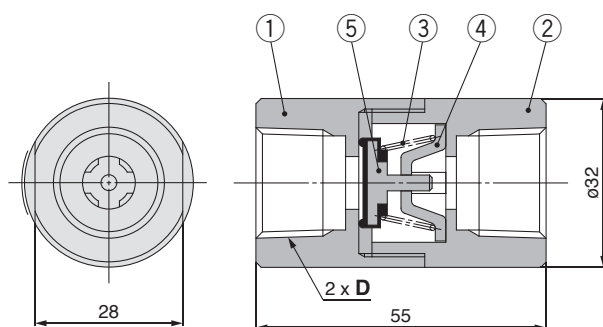
Port size	
02	Rc 1/4
03	Rc 3/8
04	Rc 1/2

Symbol	Specifications	Operating temperature range	Minimum operating pressure
Nil	Standard	-5 to 60°C	0.05 MPa
A	Main parts: Stainless steel (For water)	-5 to 60°C	0.05 MPa
E	Low cracking pressure	-5 to 60°C	0.01 MPa
H	High temperature	-5 to 80°C	0.05 MPa
L	Low temperature	-30 to 60°C	0.05 MPa

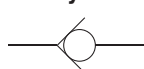
Note 1) A combination of H and L is not possible.

Note 2) Refer to "Specifications/Models" on page 1 for combinations of each option.

Construction/Dimensions



JIS Symbol



Part no.	D	Weight [g]
XTO-674-02□	Rc 1/4	280
XTO-674-03□	Rc 3/8	255
XTO-674-04□	Rc 1/2	225

Component Parts

No.	Description	Material												
		Standard	A	E	H	L	AE	AH	AL	EH	EL	AEH	AEL	
1	Body A	Brass												
2	Body B	Brass												
3	Check valve spring	Stainless steel 304												
4	Stopper	Steel	Stainless steel 304	Steel			Stainless steel 304			Steel	Stainless steel 304			
			Stainless steel 303				Stainless steel 303				Stainless steel 303			
5	Valve	Steel	NBR			FKM	CR	NBR	FKM	CR	FKM	CR	FKM	CR
	Bracket		NBR			FKM	CR	NBR	FKM	CR	FKM	CR	FKM	CR
	Rubber lining	NBR												



SMC Corporation (Europe)

Austria	☎ +43 (0)2262622800	www.smc.at	office@smc.at
Belgium	☎ +32 (0)33551464	www.smc-pneumatics.be	info@smc-pneumatics.be
Bulgaria	☎ +359 (0)2807670	www.smc.bg	office@smc.bg
Croatia	☎ +385 (0)13707288	www.smc.hr	office@smc.hr
Czech Republic	☎ +420 541424611	www.smc.cz	office@smc.cz
Denmark	☎ +45 70252900	www.smc.dk.com	smc@smc.dk.com
Estonia	☎ +372 6510370	www.smc-pneumatics.ee	smc@smc-pneumatics.ee
Finland	☎ +358 207513513	www.smc.fi	smc@smc.fi
France	☎ +33 (0)164761000	www.smc-france.fr	promotion@smc-france.fr
Germany	☎ +49 (0)61034020	www.smc.de	info@smc.de
Greece	☎ +30 210 2717265	www.smc-hellas.gr	sales@smc-hellas.gr
Hungary	☎ +36 23511390	www.smc.hu	office@smc.hu
Ireland	☎ +353 (0)14039000	www.smc-pneumatics.ie	sales@smc-pneumatics.ie
Italy	☎ +39 0292711	www.smc-italia.it	mailbox@smc-italia.it
Latvia	☎ +371 67817700	www.smc.lv	info@smc.lv

Lithuania	☎ +370 5 2308118	www.smc.lt	info@smc.lt
Netherlands	☎ +31 (0)205318888	www.smc-pneumatics.nl	info@smc-pneumatics.nl
Norway	☎ +47 67129020	www.smc-norge.no	post@smc-norge.no
Poland	☎ +48 (0)222119616	www.smc.pl	office@smc.pl
Portugal	☎ +351 226166570	www.smc.eu	postpt@smc-smces.es
Romania	☎ +40 213205111	www.smc-romania.ro	smcromania@smcromania.ro
Russia	☎ +7 8127185445	www.smc-pneumatik.ru	info@smc-pneumatik.ru
Slovakia	☎ +421 (0)413213212	www.smc.sk	office@smc.sk
Slovenia	☎ +386 (0)73885412	www.smc.si	office@smc.si
Spain	☎ +34 902184100	www.smc.es	post@smc-smces.es
Sweden	☎ +46 (0)86031200	www.smc.nu	post@smc.nu
Switzerland	☎ +41 (0)523963131	www.smc.ch	info@smc.ch
Turkey	☎ +90 212 489 0 440	www.smc-pneumatik.com.tr	info@smc-pneumatik.com.tr
UK	☎ +44 (0)845 121 5122	www.smc-pneumatics.co.uk	sales@smc-pneumatics.co.uk