

Pressure Gauge with Colour Zone Limit Indicator

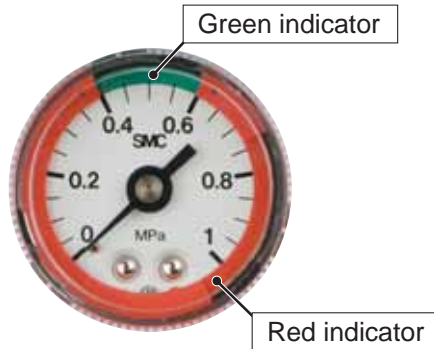
■ G36-L, G46-L Series

■ Red and green zones offer improved visibility of pressure control range.



G36-10-01-L

G46-10-02-L



The indicator adjusts to highlight preferred range



Standard Specifications

Model		G36-L	G46-L
Type		Back side thread	
Connection thread <small>Note 1)</small>		R1/8	R1/8, R1/4
Fluid <small>Note 2)</small>		Air	
Indication precision		3 % F.S. (Full span) <small>Note 3)</small>	
Material	Case (Surface treatment)	Rolled steel plate (Black melamine coating)	
	Clear cover	Polycarbonate (Part no.: G36-00-00-3) Nylon (Part no.: G36-00-00-3N)	Polycarbonate (Part no.: G46-00-00-3) Nylon (Part no.: G46-00-00-3N)
	Socket	Brass	
	Bourdon's tube	Brass	
Weight [kg]		0.04	0.05

Note 1) When mounting a pressure gauge, use caution not to tighten excessively. Excessive tightening will cause the product to be damaged.

Use a pipe tape for sealing.

Recommended tightening torque: R1/8: Set between 7 and 9 N·m, R1/4: 12 and 14 N·m respectively.

Note 2) When using other fluids, please consult SMC for compatibility information concerning corrosion etc.

Note 3) At 20 °C ±5 °C. At any other temperature 6 % F.S.

Model (Standard)

Model	Pressure range <small>Note)</small>		Green zone setting range		Indication unit	Connection thread	Note
	MPa		Min. setting range MPa	Max. setting range MPa			
G36-2-01-L□	0 to 0.2		0.01	0.1	MPa	R1/8	—
G36-4-01-L□	0 to 0.4		0.02	0.2			
G36-10-01-L□	0 to 1.0		0.05	0.5			
G46-2-01 to 02-L□	0 to 0.2		0.01	0.1	MPa	R1/8, 1/4	—
G46-4-01 to 02-L□	0 to 0.4		0.02	0.2			
G46-10-01 to 02-L□	0 to 1.0		0.05	0.5			

Note) Do not apply more pressure than the max. pressure display. It will be a cause of malfunction.

Model (Made to Order)

Model	Pressure range <small>Note 1)</small>		Green zone setting range		Indication unit	Connection thread	Note
	MPa	psi	Min. setting range MPa (psi)	Max. setting range MPa (psi)			
G36-P2-01-L□-X30	0 to 0.2	0 to 30	0.01 (2)	0.1 (14)	MPa, psi	R1/8	—
G36-P4-01-L□-X30	0 to 0.4	0 to 60	0.02 (4)	0.2 (28)			
G36-P10-01-L□-X30	0 to 1.0	0 to 150	0.05 (10)	0.5 (70)			
G46-P2-01 to 02-L□-X30	0 to 0.2	0 to 30	0.01 (2)	0.1 (14)	MPa, psi	R1/8, 1/4	—
G46-P4-01 to 02-L□-X30	0 to 0.4	0 to 60	0.02 (4)	0.2 (28)			
G46-P10-01 to 02-L□-X30	0 to 1.0	0 to 150	0.05 (10)	0.5 (70)			

Note 1) Do not apply more pressure than the max. pressure display. It will be a cause of malfunction.

Note 2) This will no longer be sold for use in Japan after the new Weight and Measure Act is implemented. (Only SI units are used for the Japanese market.)

G#-L Series



EMC-G36-L-01A-UK

G36-L/G46-L Series

How to Order

G36 - 10 - 01 - L □ - □

Size

Symbol	Outside diameter
36	∅ 37.5
46	∅ 42.5

Maximum display

Symbol	Unit
2	0.2 MPa
4	0.4 MPa
10	1.0 MPa
P2 ^{Note)}	0.2 MPa, 30 psi
P4 ^{Note)}	0.4 MPa, 60 psi
P10 ^{Note)}	1.0 MPa, 150 psi

Note) This symbol must be used with Option "X30".

Made to order specification

Symbol	Specification
—	—
X30 ^{Note)}	With MPa/psi units

Note) This will no longer be sold for use in Japan after the new Weight and Measure Act is implemented. (Only SI units are used for the Japanese market.)

Clear cover material

Symbol	Material
—	Polycarbonate
N	Nylon

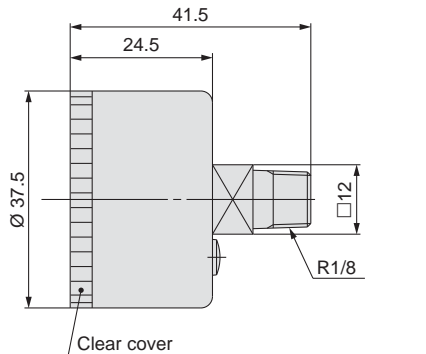
Colour zone type

Connection thread

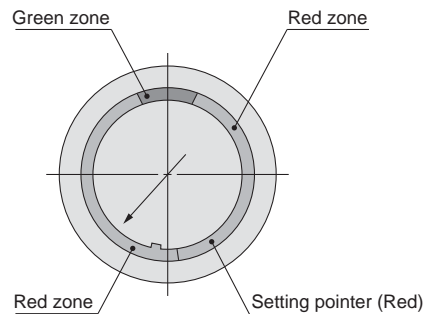
Symbol	Size	Body size	
		G36	G46
01	R1/8	●	●
02	R1/4	—	●

Dimensions

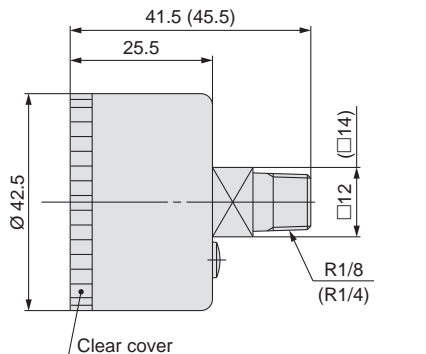
G36



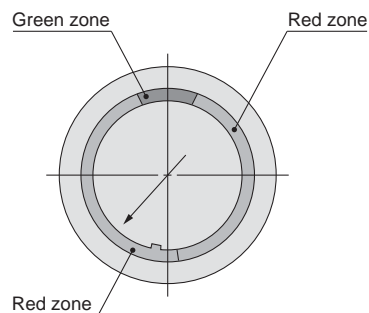
- Polycarbonate part no.: G36-00-00-3
- Nylon part no.: G36-00-00-3N



G46



- Polycarbonate part no.: G46-00-00-3
- Nylon part no.: G46-00-00-3N



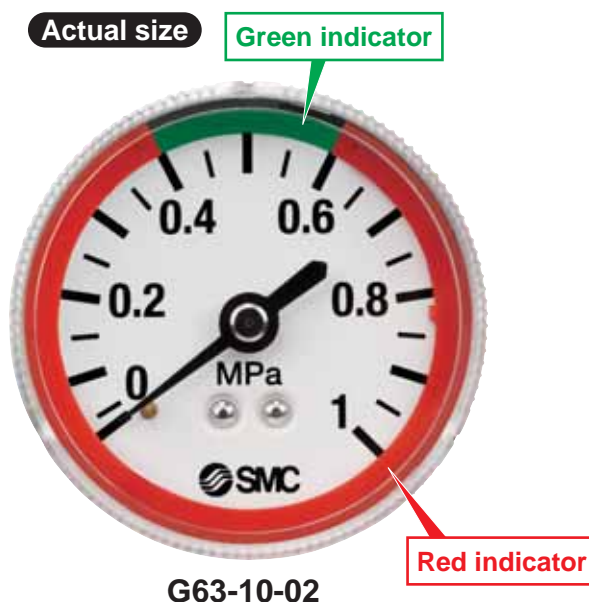
The dimensions in () : Connecting thread R1/4

New

Pressure Gauge with Colour Zone Limit Indicator

■ Large size: Ø 51, Ø 63

■ Indicator can be adjusted to highlight preferred range



Standard Specifications

Model		G53-L	G63-L
Type		Back side thread	
Connection thread*1		R1/8, R1/4	
Fluid*2		Air	
Indication precision*3		±3 %F.S. (Full span)	
Material	Case	Stainless steel	
	Clear cover	Polycarbonate (Part no.: G53-00-00-3)	Polycarbonate (Part no.: G63-00-00-3)
	Stud	Brass	
	Bourdon tube	Brass	
Weight [kg]		0.093	0.107

• Caution for handling: Avoid freezing as this may cause a malfunction.

*1 When mounting a pressure gauge, use caution not to tighten it excessively. Excessive tightening will damage the product.
Use sealant tape for sealing.

*2 Before using with other fluids, please contact SMC for fluid compatibility information concerning corrosive potential.

*3 The guaranteed temperature range is 23 °C ±5 °C.

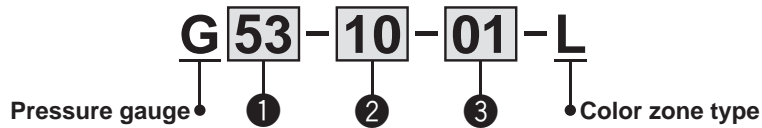
Model (Standard)

Model	Pressure range*1	Green zone setting range		Indication unit	Connection thread
	MPa	Minimum setting range [MPa]	Maximum setting range [MPa]		
G53-2-01 to 02-L	0 to 0.2	0.01	0.1	MPa	R1/8, R1/4
G53-4-01 to 02-L	0 to 0.4	0.02	0.2		
G53-7-01 to 02-L	0 to 0.7	0.05	0.35		
G53-10-01 to 02-L	0 to 1.0	0.05	0.5		
G63-10-01 to 02-L	0 to 1.0	0.05	0.5		

*1 Do not apply any amount of pressure that exceeds the maximum display pressure. This will cause a malfunction.

G53-L/G63-L Series

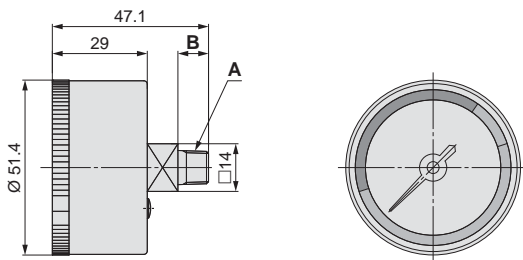
How to Order



	Symbol	Description	①	
			Size	
			G53	G63
			+	
②	Max. display pressure	2	●	—
		4	●	—
		7	●	—
		10	●	●
			+	
③	Connection thread	01	●	●
		02	●	●

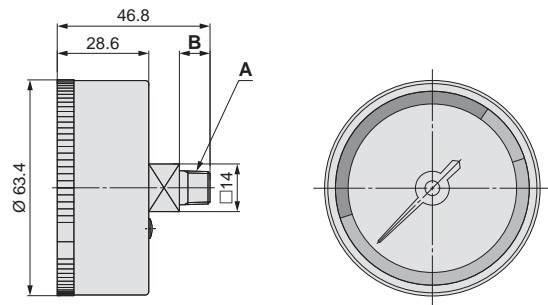
Dimensions

G53-□-01 to 02-L



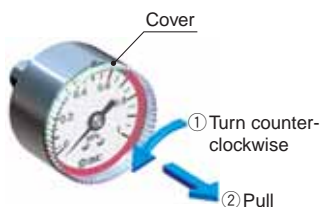
Part no.	A	B
G53-□-01-L	R1/8	9
G53-□-02-L	R1/4	11

G63-10-01 to 02-L



Part no.	A	B
G63-10-01-L	R1/8	9
G63-10-02-L	R1/4	11

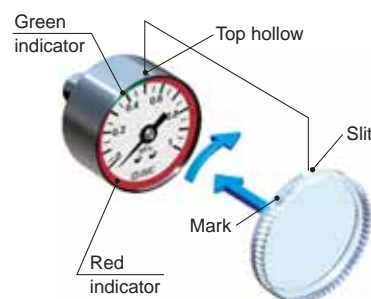
Procedure for Setting the Pressure Control Range (Green Zone)



1. ① Turn the cover counterclockwise until it stops. ② Then, remove it by pulling it toward you.



2. Set the indicator (red) so that the needle is not bent and the dial plate is not damaged.



3. After completing the setting, replace the cover. Attach the cover by aligning the cutout in the cover to the groove on the top of the silver case. Turn the cover clockwise until it stops. Make sure that the matching mark on the cover is aligned with the groove on the top of the case.



G#-L Series Specific Product Precautions

Selection

⚠ Caution

1. Make sure that no direct impact or vibrations are applied to the body.
2. If operating under pressure pulsations or under high frequency operations, please contact SMC.

Mounting

⚠ Caution

1. During transport and installation, do not apply shock to the product, such as dropping. Doing so will affect its precision.
2. Regarding the installation posture, place it perpendicular to the ground, with the zero point on the reading of the pressure gauge facing down. 3. Do not install it in areas that are exposed to high temperatures or humidity, because doing so will lead to improper operation.
4. To screw in the pressure gauge, make sure to turn the gauge by placing a wrench over the square wrench flats.

If the pressure gauge is screwed in by holding it on some other area, air leakage or damage may result.



SMC Corporation (Europe)

Austria	☎ +43 (0)2262622800	www.smc.at	office@smc.at
Belgium	☎ +32 (0)33551464	www.smc.be	info@smc.be
Bulgaria	☎ +359 (0)2807670	www.smc.bg	office@smc.bg
Croatia	☎ +385 (0)13707288	www.smc.hr	office@smc.hr
Czech Republic	☎ +420 541424611	www.smc.cz	office@smc.cz
Denmark	☎ +45 70252900	www.smc.dk.com	smc@smcdk.com
Estonia	☎ +372 6510370	www.smc.ee	smc@smcpneumatics.ee
Finland	☎ +358 207513513	www.smc.fi	smc@smc.fi
France	☎ +33 (0)164761000	www.smc-france.fr	info@smc-france.fr
Germany	☎ +49 (0)61034020	www.smc.de	info@smc.de
Greece	☎ +30 210 2717265	www.smc.gr	sales@smc.gr
Hungary	☎ +36 23513000	www.smc.hu	office@smc.hu
Ireland	☎ +353 (0)14039000	www.smc.ie	sales@smc.ie
Italy	☎ +39 0292711	www.smc.it	mailbox@smc.it
Latvia	☎ +371 67817700	www.smc.lv	info@smc.lv

Lithuania	☎ +370 5 2308118	www.smc.lt	info@smc.lt
Netherlands	☎ +31 (0)205318888	www.smc.nl	info@smc.nl
Norway	☎ +47 67129020	www.smc-norge.no	post@smc-norge.no
Poland	☎ +48 222119600	www.smc.pl	office@smc.pl
Portugal	☎ +351 226166570	www.smc.eu	postpt@smc.smces.es
Romania	☎ +40 213205111	www.smcromania.ro	smcromania@smcromania.ro
Russia	☎ +7 8127185445	www.smc-pneumatik.ru	info@smc-pneumatik.ru
Slovakia	☎ +421 (0)413213212	www.smc.sk	office@smc.sk
Slovenia	☎ +386 (0)73885412	www.smc.si	office@smc.si
Spain	☎ +34 945184100	www.smc.es	post@smc.smces.es
Sweden	☎ +46 (0)86031200	www.smc.se	post@smc.se
Switzerland	☎ +41 (0)523963131	www.smc.ch	info@smc.ch
Turkey	☎ +90 212 489 0 440	www.smc-pneumatik.com.tr	info@smc-pneumatik.com.tr
UK	☎ +44 (0)845 121 5122	www.smc.uk	sales@smc.uk