

For Coolant

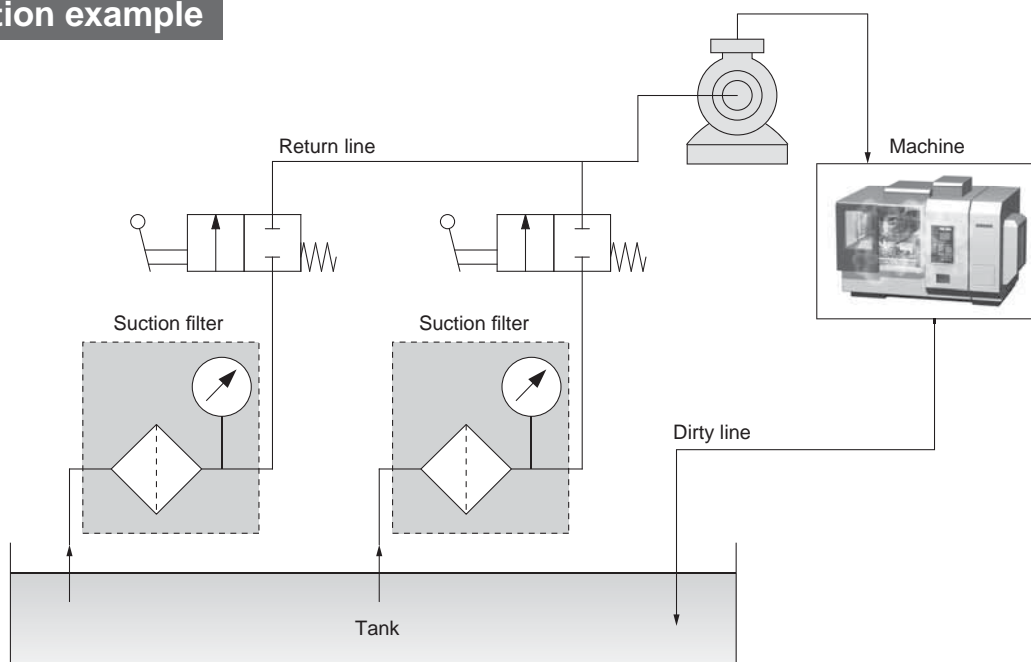
Vertical Suction Filter

RoHS

- Supports threaded connections
- Lightweight: 2.5 kg
Aluminium bodied
- Operating pressure:
-100 to 0 kPa
- Nominal filtration:
149 μm (100 mesh)
- The vacuum pressure gauge can be used to manage clogging.



Application example



FHIAF-10-M149G

18-EU701-UK

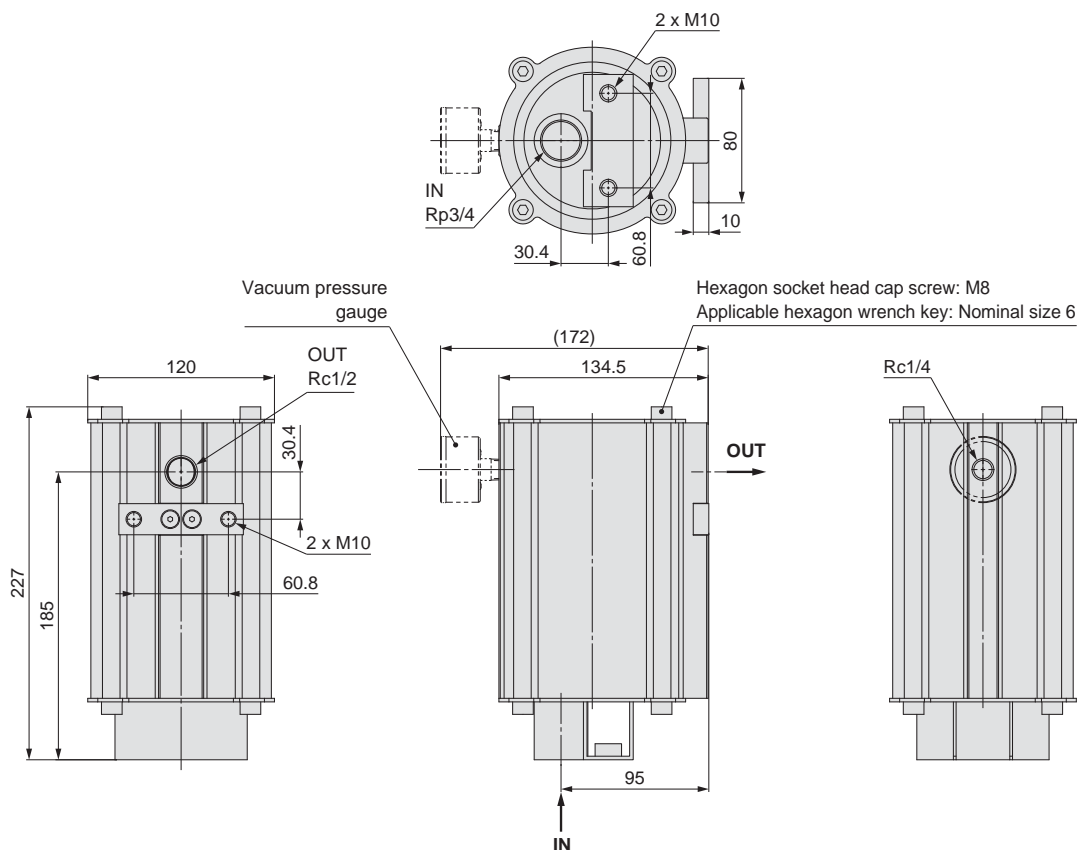
FHIAF-10-M149G

Specifications

Model	FHIAF-10-M149G	
Main operating fluid*1	Coolant	
Operating pressure [kPa]*2	-100 to 0	
Ambient and fluid temperatures [°C]	5 to 60	
Element opening [μm]	149 (100 mesh)	
Wetted parts material	Metal parts	Carbon steel, Aluminum alloy, Stainless steel, Brass
	Resin parts	FKM, Epoxy adhesives
Connection	Threaded connection	
Weight [kg]	2.5	
Accessories*3	Vacuum pressure gauge: GZ46-K-02 Hexagon socket head plug	
Replacement element part no.	EM201H-149N	

- *1 Fluids which may cause the corrosion, deterioration, or swelling of the product's materials cannot be used. Be sure to check the compatibility between the fluid and the wetted parts materials before use.
- *2 This filter cannot be used with positive pressure.
- *3 Accessories are shipped with the product but not assembled. It is the customer's responsibility to assemble the product.
- * Before use, be sure to thoroughly flush the filter.
- * Regarding this product, unless otherwise noted along with a separate contract or agreement within the product specifications, the safety instructions specified in the catalogue apply. Please contact your local SMC sales office for further details.

Dimensions



SMC Corporation

SMC CORPORATION
 Akihabara UDX 15F, 4-14-1, Sotokanda, Chiyoda-ku, Tokyo 101-0021, JAPAN
 Phone: 03-5207-8249 FAX: 03-5298-5362
 SMC CORPORATION All Rights Reserved

European Marketing Centre (EMC)

Zuazobidea 14, 01015 Vitoria
 Tel: +34 945-184 100 Fax: +34 945-184 124
 URL <http://www.smc.eu>